

# ISOLATION AMPLIFIER

DESIGN CONSIDERATIONS IN STATE-OF-THE-ART  
SIGNAL PROCESSING AND PHASE NOISE MEASUREMENT SYSTEMS

by

F. L. Walls, S. R. Stein, James E. Gray  
and David J. Glaze  
Frequency and Time Standards Section  
National Bureau of Standards  
Boulder, Colorado 80302

1990

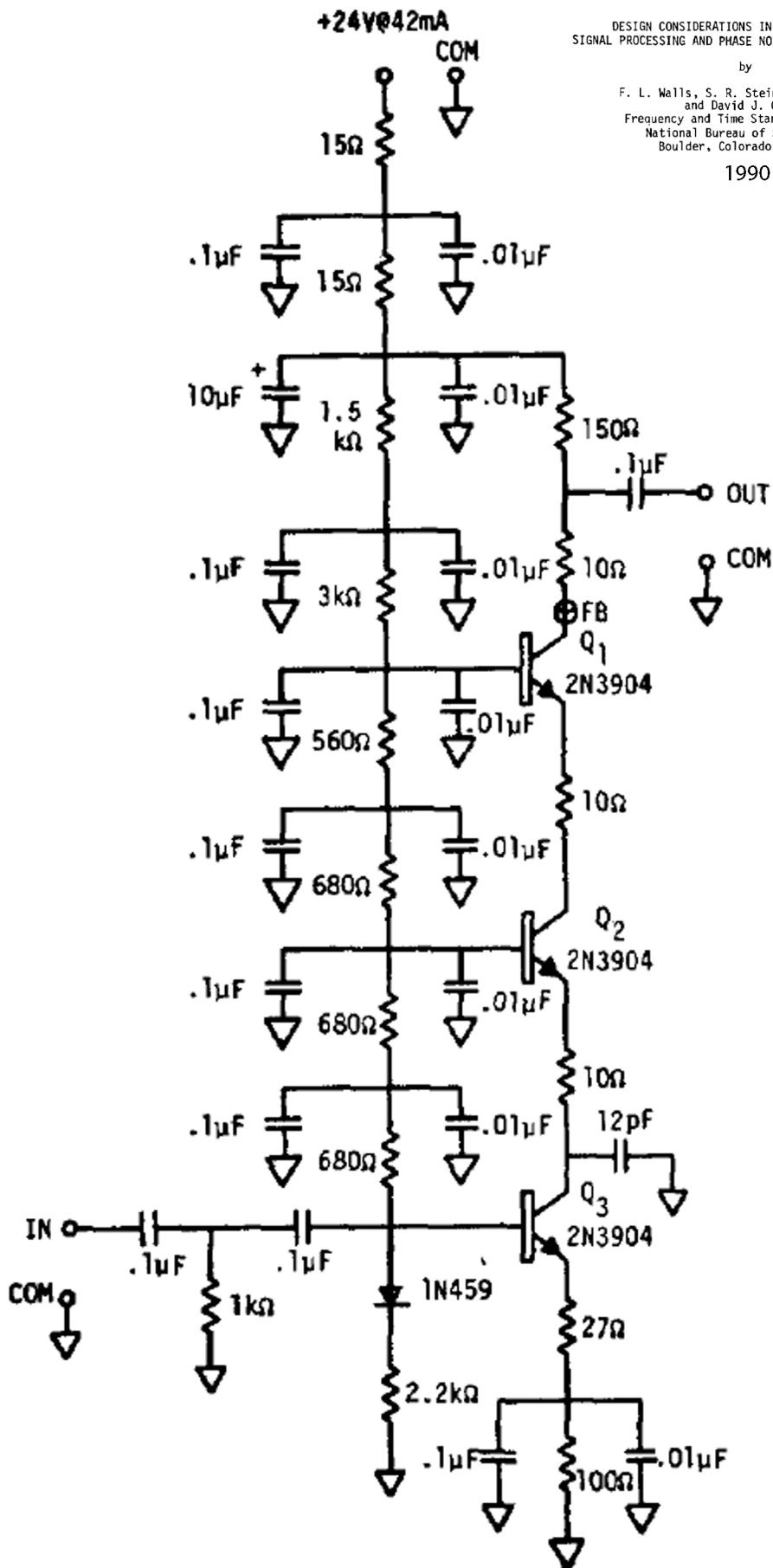


Fig. 1 Schematic of 1 MHz to 200 MHz isolation amplifier. The isolation is -120 dB at 5 MHz. Art work for this amplifier is available from the authors.